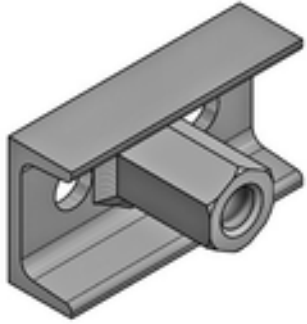


Turnbuckle B15 (galvanized)



The turnbuckle B15 is used for connecting and prestressing BETOMAX® anchor bars.

