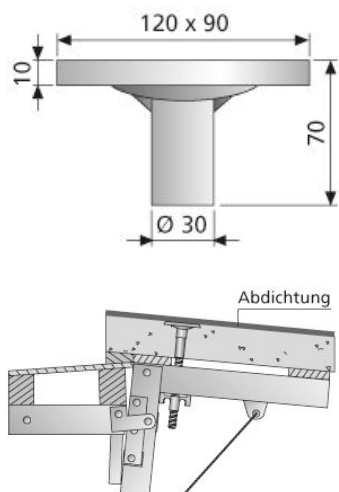


Fitsch with base plate



For attaching ledge consoles to components without concreted-in anchoring parts, e. g. when renovating existing structures.

Technical data

Tragfähigkeit N_{Rd}

Betongüte Nutzhöhe in cm Wert in kN

C20/25	15	61,2
C20/25	12	57,4
C20/25	9	43,2
C25/30	15	68,0
C25/30	12	62,3
C25/30	9	46,3
C30/37	15	73,8
C30/37	12	66,5
C30/37	9	48,9

Article number	Title of variant	Packaging piece/ metre/ metre by the metre/ bucket/ bag/ bundle/ box/ can	Weight kg/piece
20199700	Fitsch with base plate for B 15	10 pieces/bunch	1,080