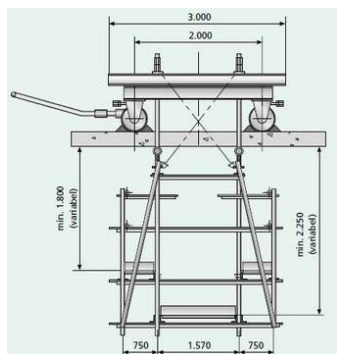
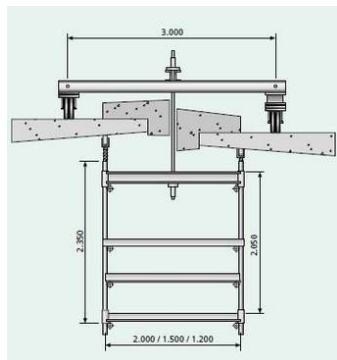


## Middle cornice platform MGB on mobile frame



Mobile work platform for the efficient installation of BETOMAX® cornice consoles and pipelines or inspection views or renovation work under the central cap areas of bridge superstructures that are close together.

Permissible platform load:

100 kg per m<sup>2</sup> and 200 kg moving single load

For assembly work below the bridge in tight spaces in the central canopy area

The work platform is available in widths of 1.20 m, 1.50 m and 2.00 m

Can be used as a pre- or post-runner

Forerunner = assembly, follower = dismantling

### Comment to article

Rent on request.

Article number	Title of variant	Packaging piece/ metre/ metre by the metre/ bucket/ bag/ bundle/ box/ can	Weight kg/piece
44630000	Bicycles with crossbar	1 piece	900
44633150	MGB centre cornice stage; (length = 3 m, width = 1,50 m)	1 piece	1'290
44633200	MGB centre cornice stage; (length: 3 m, width: 2,00 m)	1 piece	1'425