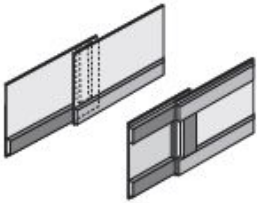


SDF sheet Q1-Q2



Commitment

Sealing of construction joints (upstand not required)

Measurements

SDF/Q1-Q2 sheet (strips/rolls)

Length L = 2.00 running m. / 20.00 running m.

Width w = 150mm

Sheet thickness t = 0.85 mm

Laying/Fixing

Sole-wall connection

Setting up the metal water stop (SDF Q1 or Q2) on the upper reinforcement. The swelling tape must be at the bottom and fully integrated into the first concrete section

Bend the sheet metal in the corner area as required

Secure against tipping and slipping with the help of fixing brackets (distance approx. 1.0 m), which are tied to the reinforcement

Secure the joints with spring pins

wall-to-wall connection

Integration of the metal water stop SDF Q2 in equal parts in the two wall or concrete sections

Applications, features, properties and benefits

Self-sealing metal waterstop in strips or rolls

Covered with delayed source tape. Arrangement of the swelling tape on one side on one or both long sides, as well as on a front side to seal the overlap

Swelling tape self-swelling when water enters; very good chemical resistance

Good suitability of the SDF sheet also in precast concrete construction

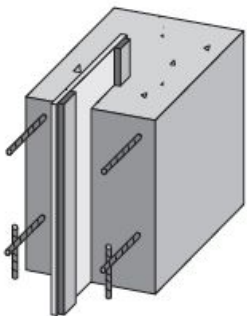
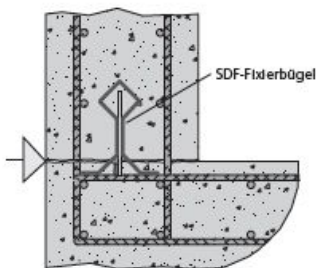
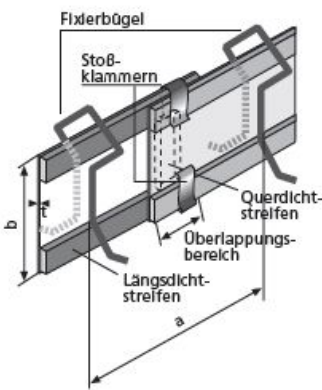
Construction:

Seam plate, with swelling tape glued on one side

SDF Q1 with swelling tape support arranged on one long side for use e.g. B. in the area of floor-wall connections

SDF Q2 with swelling tape supports arranged on both long sides for use e.g. B. in the area of wall-wall connections

Both SDF types with swelling tape layer arranged on one face to create a seal in the overlapping area



SDF sheet Q1-Q2

Article number	Title of variant	Packaging piece/ metre/ metre by the metre/ bucket/ bag/ bundle/ box/ can	Weight kg/metre	Weight kg/piece
87401200	SDF sheet Q1 strips	2m / 50m bundle	0,870	
87402240	SDF sheet Q2 strips	2m / 50m bundle	1,020	
87402508	SDF sheet Q1 rolled goods	20m / roll	0,943	
87600011	SDF fixing bracket	100 pieces		0,082
44390162	Spring cotter pin D=4mm galvanised DIN 11024	1 piece		0,016
87600025	Expansion joint tape closer for metal waterstops	1 piece		0,720