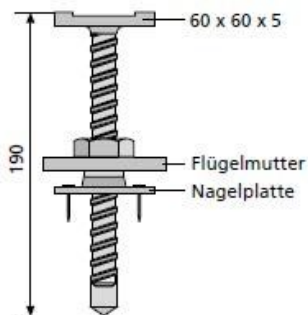
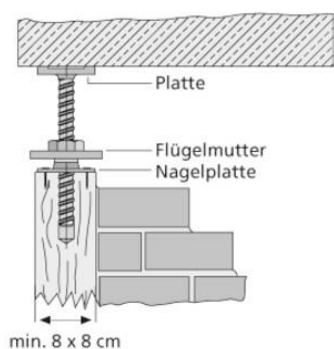


BLOCKER Clamping head for scantling



Spindle attachment for squared timber from 8 x 8 cm.
Use as a clamping support, e.g. as a stop for intermediate masonry.



Article number	Title of variant	Packaging piece/ metre/ metre by the metre/ bucket/ bag/ bundle/ box/ can	Weight kg/piece
30318000	Blocker	1 piece/bag	0,823